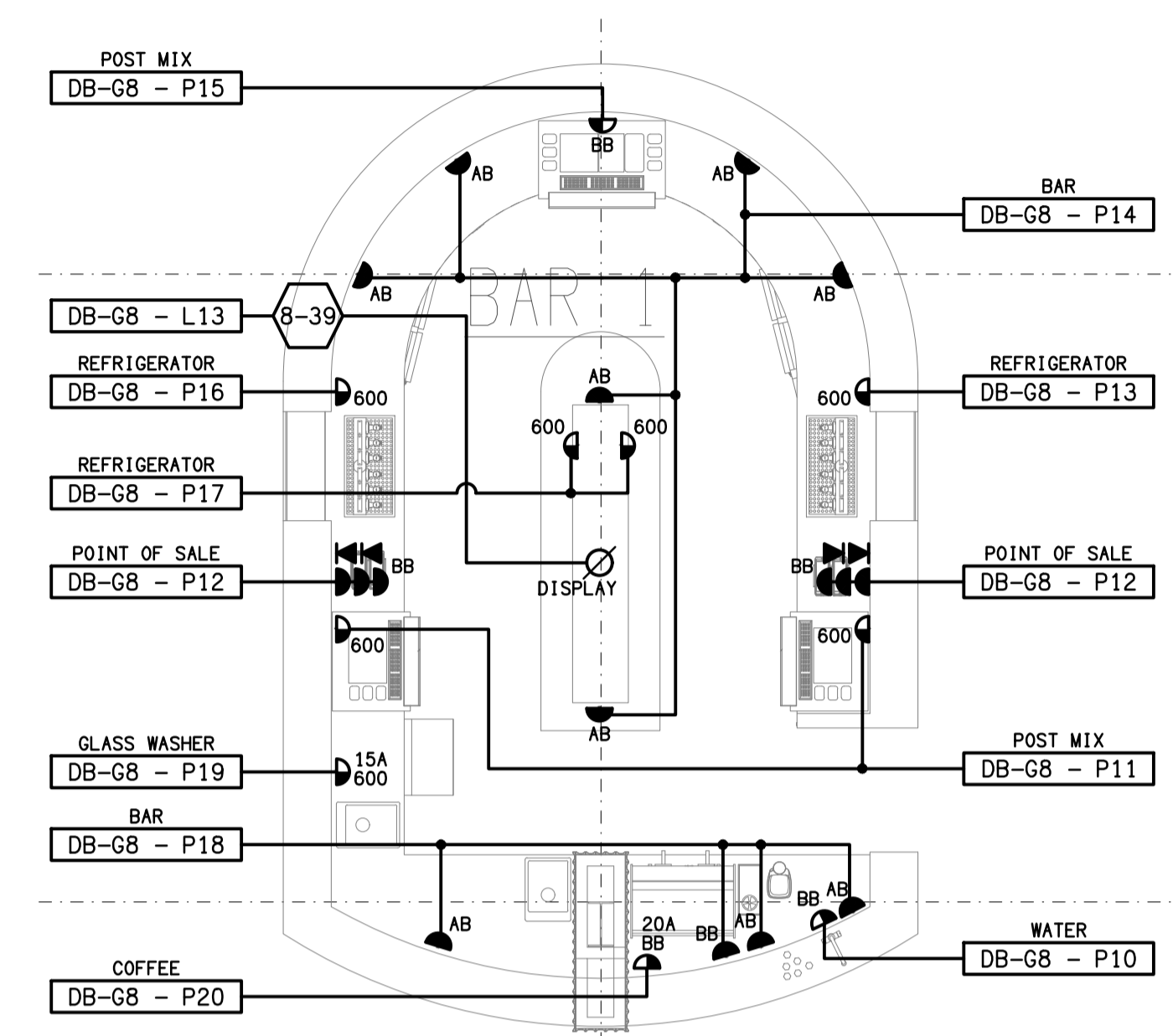


**ELECTRICAL SERVICES
WITHIN THIS DASH LINED
AREA ARE TO BE REMOVED**



DETAIL A
BISTRO BAR FLOOR PLAN
SCALE 1:50

F	CONSTRUCTION	12/02/2025
REV:	DESCRIPTION:	DATE:

ELECTRICAL DESIGN GROUP
ELECTRICAL BUILDING SERVICES CONSULTANTS

BRISBANE: P.O. Box 15 Sherwood Qld 4075
Phone: (07) 3278 4375
Email: brisbane@edg.net.au
Web: www.edg.net.au

ELECTRICAL DESIGN GROUP BRISBANE PTY LTD
ACN 092 710 793

TRADING AS:
ELECTRICAL DESIGN GROUP

PROJECT:
**SUNNYBANK COMMUNITY
SPORTS CLUB**

SITE ADDRESS:
470 McCULLOUGH STREET
SUNNYBANK

SCALE: 1:100 UNO SHEET SIZE: AT A1

DRAWING TITLE:
**ELECTRICAL SERVICES
BISTRO & BAR
FLOOR PLAN**

PROJECT NO. DRAWING NO. REVISION:
C3179a E05 F